

SPECIFICATIONS

Current Rating: 3 Amps
 Insulator Resistance: 5000 Megohms min.
 Contact Resistance: 20 m ohms max.
 Dielectric withstanding: AC 500V
 Operating Temperature: -40°C~+105°C
 Max Processing Temp: 230° for 30~60 seconds
 (260° for 10 seconds)

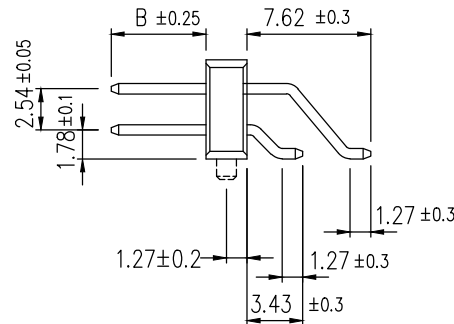
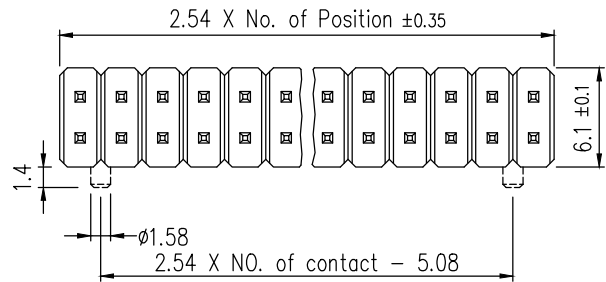
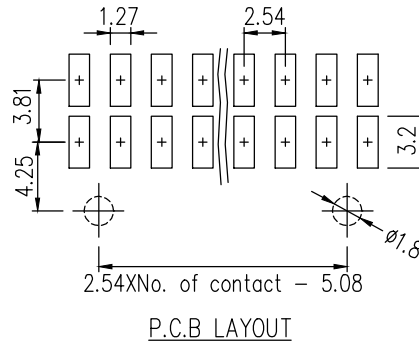
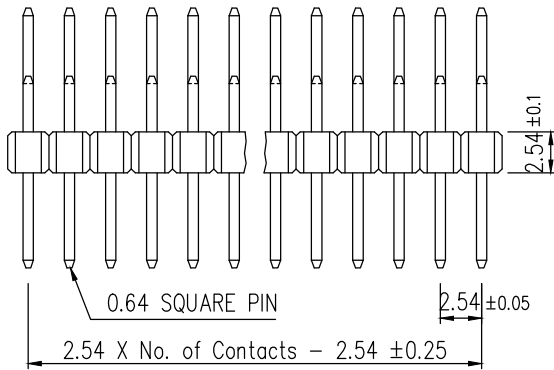
Contact Material: Brass
 Insulator Material: High Temperature Thermoplastic, UL 94V-0

● Standard: Nylon-6T

Finish: Tin, Gold or Duplex Plating

● Standard: Gold Flash

Duplex Plating: Gold Plated on contact area
 Tin Plated on solder area



SNBHZ-XXR-XX-A-X-FG

Number of Contacts
 Right Angle

Null: Standard
 G: RoHS Compliant
 0: w/o Locating Peg
 1: with Locating Peg
 Pin Length mm
 (Standard: 5.84mm)
 (Option: 8.13mm)

Contact Plating

Definition	Code
● Tin plated:	VA
● Gold plated:	
flash VB	10μ" VE
3μ" VC	15μ" VF
5μ" VD	30μ" VJ
● Duplex plating:	
flash VK	10μ" VP
3μ" VL	15μ" VN
5μ" VM	30μ" VU
● Standard:	VB

GENERAL TOLERANCE UNLESS OTHERWISE SPECIFIED

XXX. ± X	.XX ± 0.20
XX. ± X	.XXX ± X
X. ± X	X.' ± 5"
.X ± 0.35	.X' ± X"

AP

APTOS TECHNOLOGY

APTOS Technology CONFIDENTIAL
 This document, and all information it contains, are the confidential, proprietary property of APTOS Technology. Disclosure, duplication or distribution of this document, or any information it contains, in whole or part, without prior written permission from APTOS Technology is strictly prohibited

REV. A	DRAWN	09/14/10
DATE 09/14/10	CHECKED	
SCALE 2.5:1	APPROVED	
UNIT mm		SIZE A4

SNBHZ Series
 2.54 mm Dual Row R/A SMT Header
 PRODUCT NO. SNBHZ-XXR-XX-A-X-FG
 FILE NAME: SNBHZ LF APD.DWG